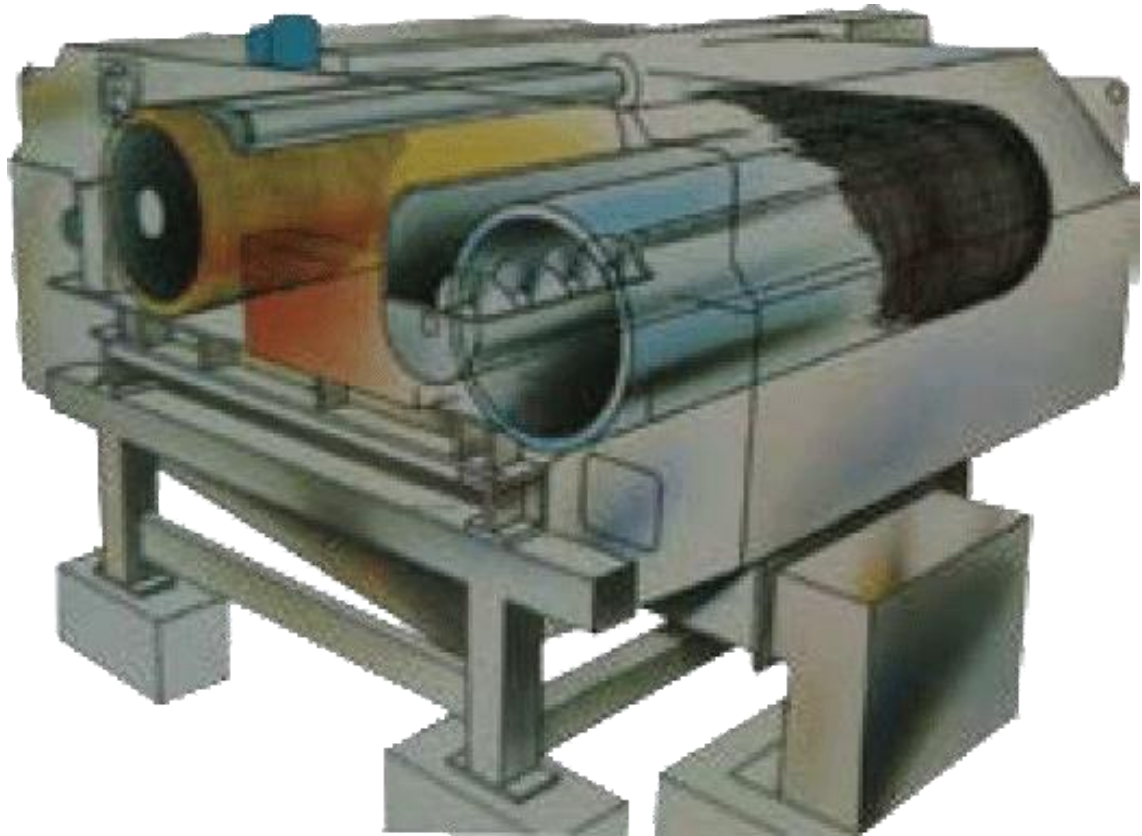
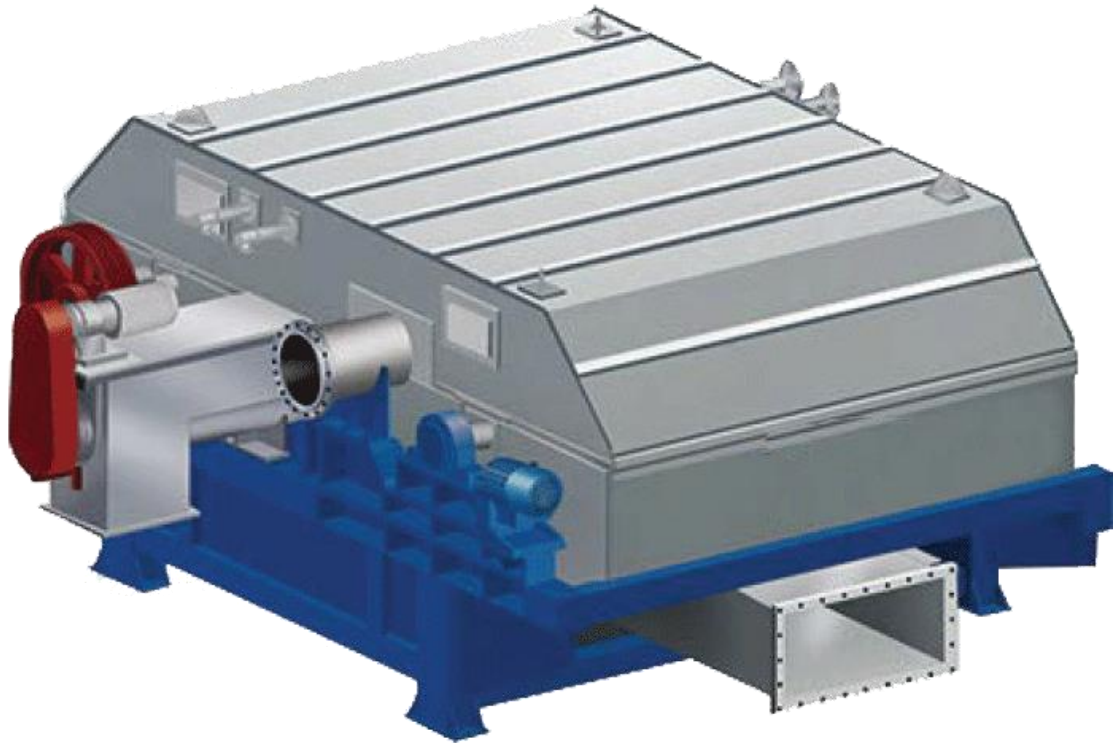


TECHNICAL DATA SHEET (TDS)
HIGH SPEED WASHER

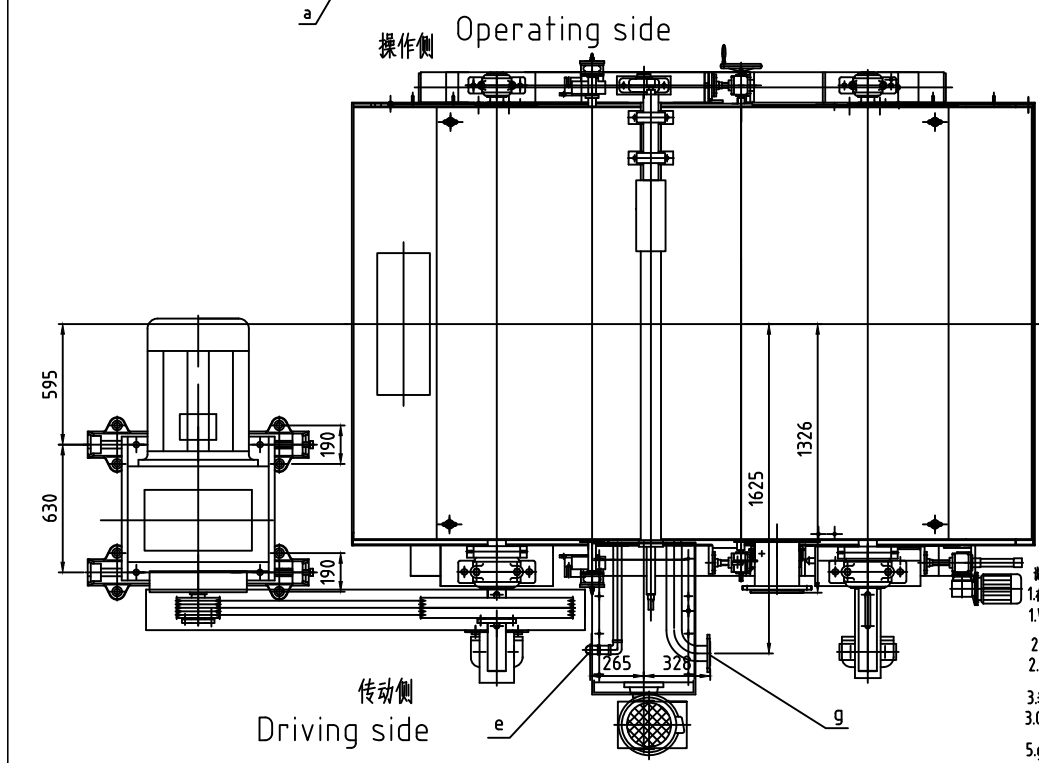
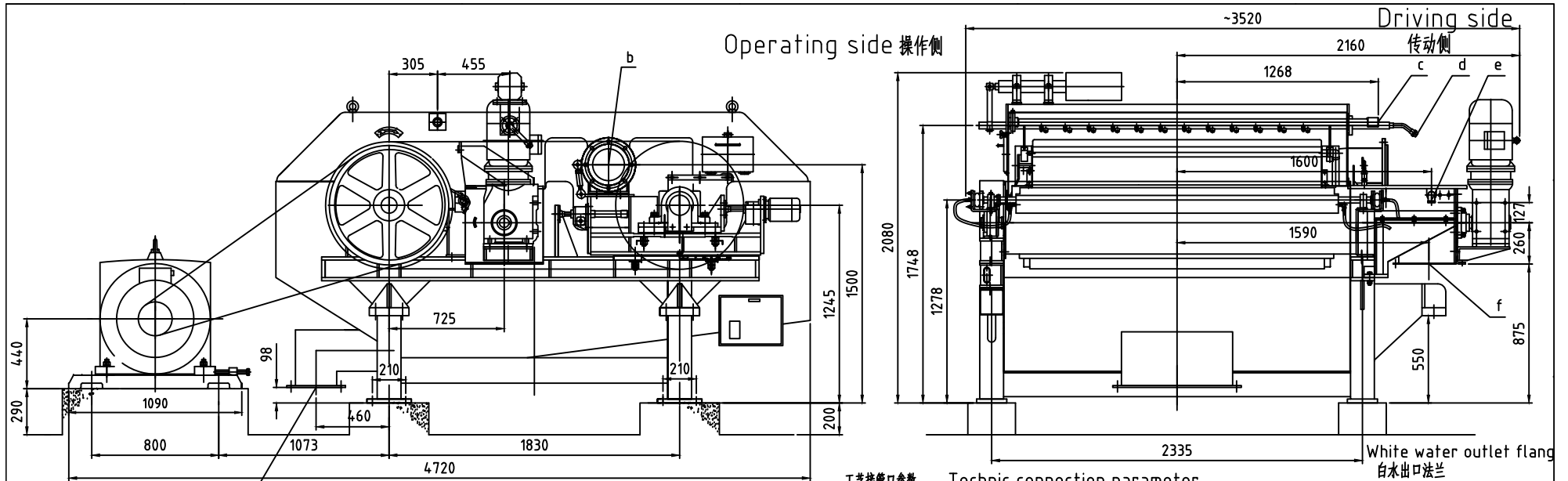


TECHNICAL DATA SHEET (TDS) HIGH SPEED WASHER



主要技术参数 / Main technical data

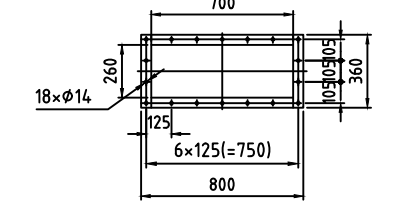
型号 Model	自动纠偏With Auto-Correction System	ZGX50	ZGX100	ZGX150	ZGX200	ZGX250
	传统纠偏Without Auto-correction System	ZGX50	ZGX100	ZGX150	ZGX200	ZGX250
网宽 Wire Width(mm)		500	1000	1500	2000	2500
进浆浓度 Inlet Consistency(%)		0.8-1.2	0.8-1.2	0.8-1.2	0.8-1.2	0.8-1.2
出浆浓度 Outlet Consistency(%)		10-15%	10-15%	10-15%	10-15%	10-15%
灰份去除率 Ash Removal Ratio(%)		≥95%	≥95%	≥95%	≥95%	≥95%
生产能力 Capacity(t/24h)	MOW	30-50	50-100	70-125	100-150	125-250
	ONP	15-25	30-50	40-70	50-90	75-125
主电机功率 Main Motor Power(KW)		22	30	45	55	75
螺旋电机功率 Screw Motor Power(KW)		2.2	2.2	5.5	7.5	7.5



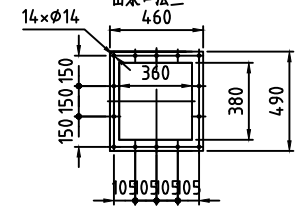
工艺接口参数 Technic connection parameter

符号	名称	公称直径	法兰螺栓孔		
			中心距	数量	规格
a	白水出口法兰	DN260x700			
b	进口	Dg200	φ295	8	φ22
c	固定冲洗水接口	Dg32	内螺纹G1 1/4"		
d	移动式冲洗水接口	Dg20	外螺纹ZG3/4"		
e	低压冲洗水接口	Dg32	内螺纹G1 1/4"		
f	出口	DN380x390			
g	冲洗水出口	Dg65	φ145	4	φ18

白水出口法兰 White water outlet flange



Pulp outlet flange 出口法兰



Symbol	Description	Nominal diameter	Flange bolt hole		
			Center distance	Q.T.Y.	Specification
a	White water outlet flange	DN260x700			
b	Inlet	Dg200	φ295	8	φ22
c	Fixup shower connector	Dg32	inside screw thread G1 1/4"		
d	Movable shower connector	Dg20	Out side screw thread ZG3/4"		
e	L.P. flushing connector	Dg32	inside screw thread G1 1/4"		
f	Outlet	DN380x390			
g	Flushing water outlet	Dg65	φ145	4	φ18

- 说明:
- 1.本操作侧应当预留大于2米空间和净空距;
1. With more than 2m space for changing wire and maintaining at operating side;
 - 2.白水管道分布应保持平滑;
2. The distribution of the white water pipe should keep smoothly
 - 3.进出口必须使用软连接(用户自备);
3. Outlet must be with soft conncetion(Supply by user)
 - 5.出口外管不得不在水平布置,以免造成管道堵塞;
5. Horizontal distribution is not allowed for G out connect pipe, to avoid pipe jam.
 4. 高压移动式冲洗水必须经过滤处理;
4. The clean water for H.P. movable wire flushing should with filtration treatment.

DESCRIPTION	High speed washer	DRD. NO.: VTMC/DNT/2000		
WORKING WIDTH	2000MM	INLET CONSISTENCY		
CAPACITY	70-80T/D	LSK		
OUTLINE DRAWING		Scale	Date	Rev.
			2016/7/1	
Drawn By				
Checked By				
Appd. By				